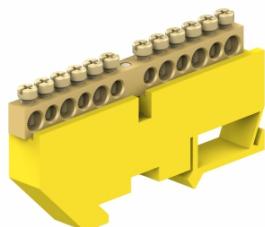


Terminal strips terminal TH rail terminal TH rail strip

R739628

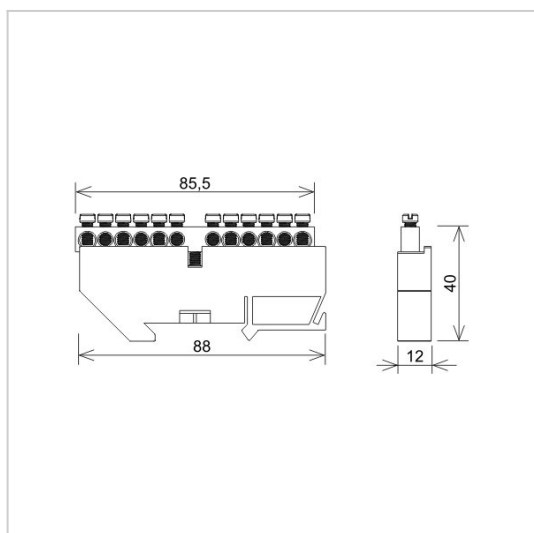


MATERIAL:

plastic/brass

DESCRIPTION:

Terminal strip for connecting wires. It should be mounted on a TH rail in switchgears, boxes.



symbol	R739628
type	LZP1202-Z
qty x cross-section	6 x 10 mm ² 6 x 16 mm ²
base colour	yellow
type	protective
material	plastic/brass



AN-KOM 2 Sp. z o.o.
 Inwałd, ul. ks. Władysława
 Bukowińskiego 15
 34-120 Andrychów



an-kom.pl
 sales@an-kom.pl



tel./fax
 +48 605 527 132