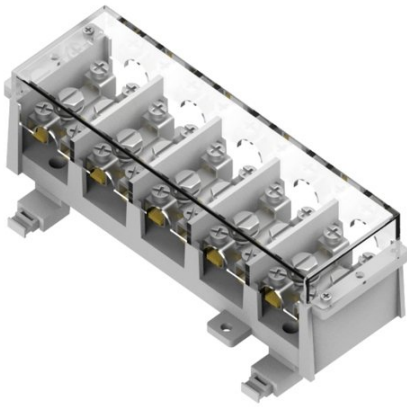


**Terminal strips POWER LZG power LZG rail strip + cover**

**R739588**



**MATERIAL:**

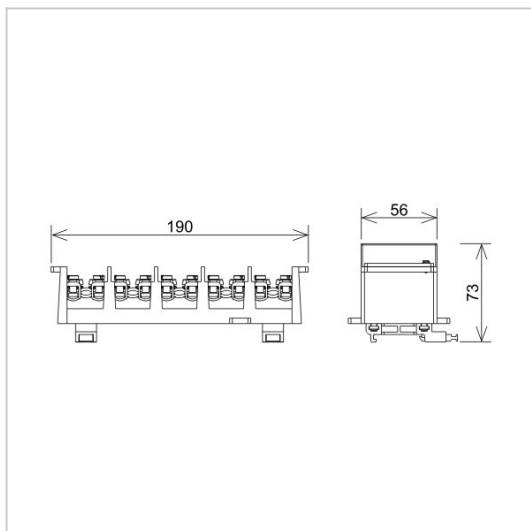
plastic/brass

**DESCRIPTION:**

Five-way branch terminal strip for connecting wires in switchgears and boxes. Mounting on a TH rail.

**The product complies with the standard:**

PN-EN - 60998-2-1



<b>symbol</b> type	<b>R739588</b> LZG3504
<b>qty x cross-section</b>	5 x 35 mm <sup>2</sup> 20 x 16 mm <sup>2</sup>
<b>insulation voltage[V]</b>	650
<b>base colour</b>	gray
<b>material</b>	plastic/brass



AN-KOM 2 Sp. z o.o.  
 Inwałd, ul. ks. Władysława  
 Bukowińskiego 15  
 34-120 Andrychów



an-kom.pl  
 sales@an-kom.pl



tel./fax  
 +48 605 527 132