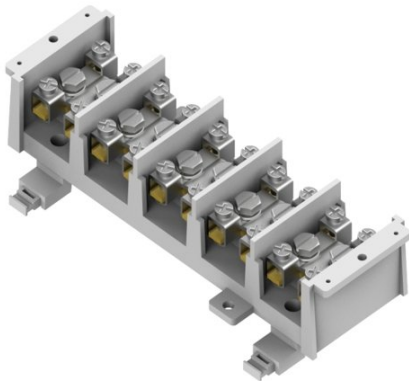


Terminal strips POWER LZG power LZG rail strip

R739584



MATERIAL:

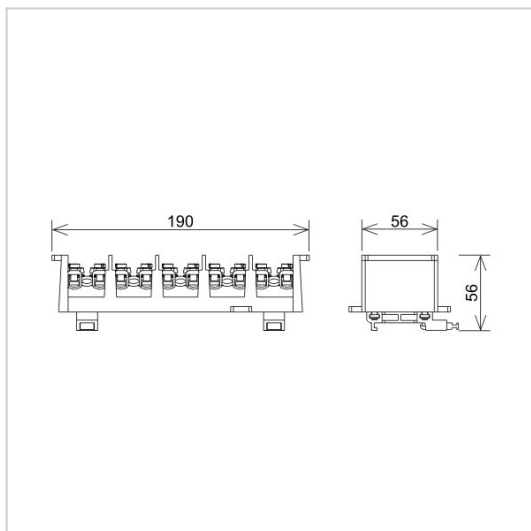
plastic/brass

DESCRIPTION:

Five-way branch terminal strip for connecting wires in switchgears and boxes. Mounting on a TH rail.

The product complies with the standard:

PN-EN - 60998-2-1



symbol type	R739584 LZG3503
qty x cross-section	5 x 35 mm ² 20 x 16 mm ²
insulation voltage[V]	650
base colour	gray
material	plastic/brass



AN-KOM 2 Sp. z o.o.
 Inwałd, ul. ks. Władysława
 Bukowińskiego 15
 34-120 Andrychów



an-kom.pl
 sales@an-kom.pl



tel./fax
 +48 605 527 132