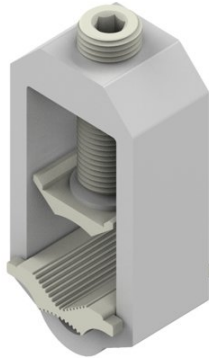


Terminal strips **SCREW CLAMPS** screw clamp

**P919292**



**MATERIAL:**

aluminium

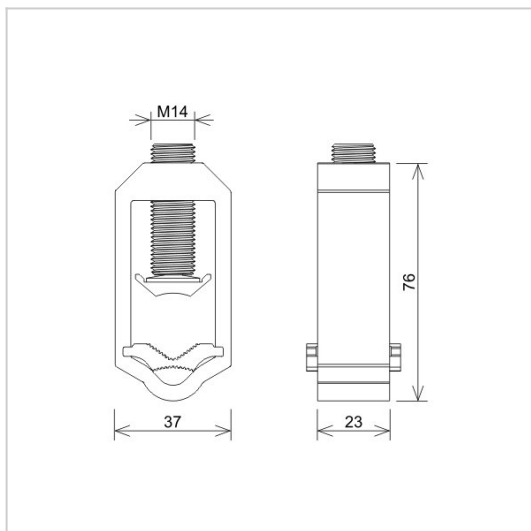
**DESCRIPTION:**

Screw clamp for connecting wires in electrical switchboards.

**The product complies with the standard:**

PN-EN - 60947-7-1:2012

PN-EN - 60947-1:2010



<b>symbol</b>	<b>P919292</b>
<b>type</b>	ZVK2-240
<b>sm</b>	35 - 185
<b>se</b>	35 - 240
<b>rm</b>	35 - 120
<b>re</b>	35 - 120
<b>material</b>	aluminium



AN-KOM 2 Sp. z o.o.  
Inwałd, ul. ks. Władysława  
Bukowińskiego 15  
34-120 Andrychów



an-kom.pl  
sales@an-kom.pl



tel./fax  
+48 605 527 132