

LV equipment LAMP ARMS AND HOLDERS rotary lamp arm

P199252

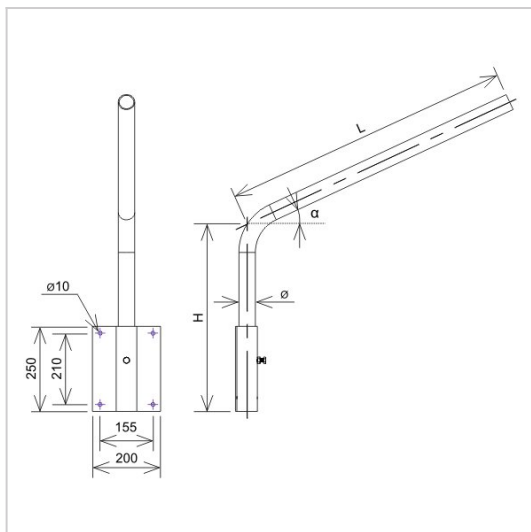


MATERIAL:

hot galvanised steel

DESCRIPTION:

The rotary lamp arm is used to mount the lighting fixture to a flat surface or to a wall.



symbol type	P199252 AN-202/OG/
H(mm)	550
L(mm)	850
$\alpha(^{\circ})$	15
\emptyset(mm)	48,3
material	hot galvanised steel



AN-KOM 2 Sp. z o.o.
Inwałd, ul. ks. Władysława
Bukowińskiego 15
34-120 Andrychów



an-kom.pl
sales@an-kom.pl



tel./fax
+48 605 527 132