

LV equipment LAMP ARMS AND HOLDERS lamp arm

P199236

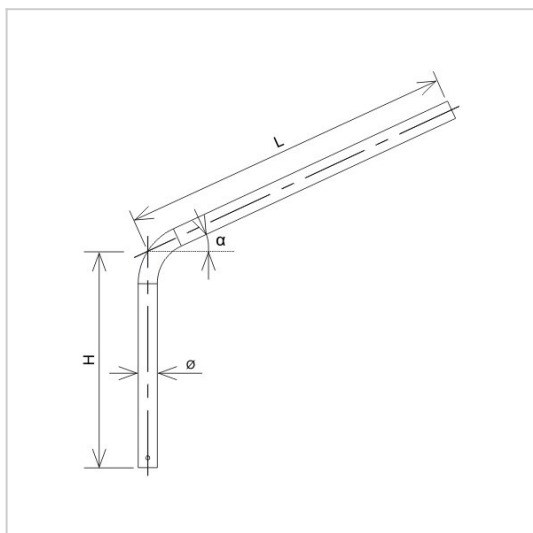


MATERIAL:

hot galvanised steel

DESCRIPTION:

The lamp arm is used to mount lighting fixtures on ŻN or EPV poles.



| | |
|--------------------------------------|----------------------|
| symbol | P199236 |
| type | AN-200C/OG/ |
| H(mm) | 500 |
| L(mm) | 2000 |
| $\alpha(^{\circ})$ | 15 |
| \varnothing(mm) | 48,3 |
| material | hot galvanised steel |



AN-KOM 2 Sp. z o.o.
Inwałd, ul. ks. Władysława
Bukowińskiego 15
34-120 Andrychów



an-kom.pl
sales@an-kom.pl



tel./fax
+48 605 527 132