

LV equipment Cable holders single ŻN rod

P199216

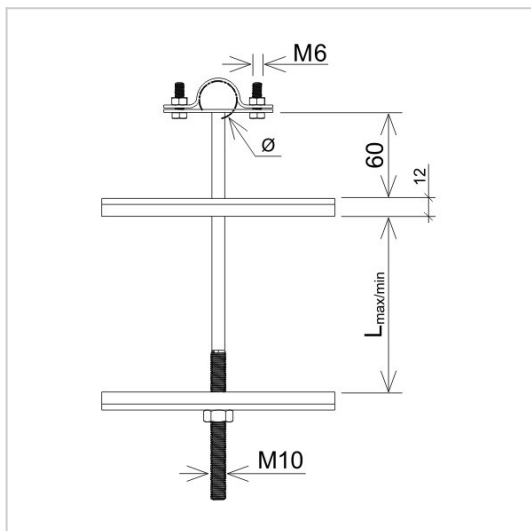


MATERIAL:

hot galvanised steel

DESCRIPTION:

Single cable holder for building cable lines. Thanks to them the cable can be mounted on ŻN poles.



symbol	P199216
type	AN-139A/OG/
L max/min(mm)	180 / 100
Ømounting range(mm)	25
material	hot galvanised steel



AN-KOM 2 Sp. z o.o.
Inwałd, ul. ks. Władysława
Bukowińskiego 15
34-120 Andrychów



an-kom.pl
sales@an-kom.pl



tel./fax
+48 605 527 132