

LV equipment Cable holders triple ŻN rod

P199180

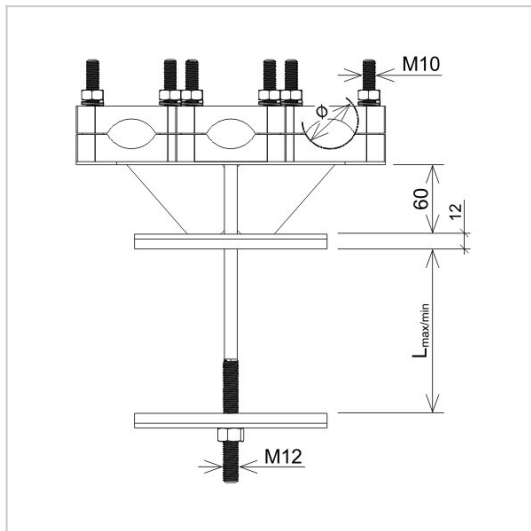


MATERIAL:

hot galvanised steel

DESCRIPTION:

Triple plastic cable holder for building cable lines. Thanks to them the cable can be mounted on ŻN poles.



symbol	P199180
type	AN-133A/OG/
L max/min(mm)	180 / 100
Ømounting range(mm)	25 - 45
material	hot galvanised steel



AN-KOM 2 Sp. z o.o.
Inwałd, ul. ks. Władysława
Bukowińskiego 15
34-120 Andrychów



an-kom.pl
sales@an-kom.pl



tel./fax
+48 605 527 132