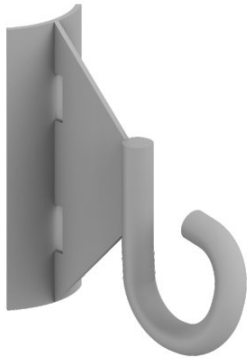


LV equipment SCREWS AND HOOKS EPV rod hook

P199076

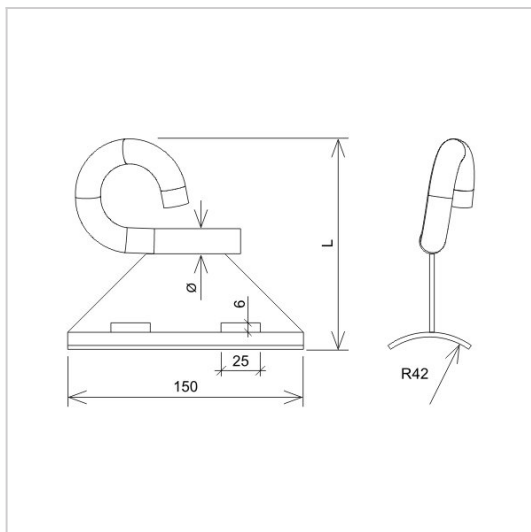


MATERIAL:

hot galvanised steel

DESCRIPTION:

Hook for EPV rod mounted on a round pole with a steel tape or a clip. Used to build aerial networks.



symbol type	P199076 AN-102B/OG/
L(mm)	130
Ø(mm)	16
material	hot galvanised steel



AN-KOM 2 Sp. z o.o.
Inwałd, ul. ks. Władysława
Bukowińskiego 15
34-120 Andrychów



an-kom.pl
sales@an-kom.pl



tel./fax
+48 605 527 132