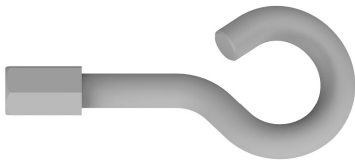


LV equipment SCREWS AND HOOKS screw hook

P199064

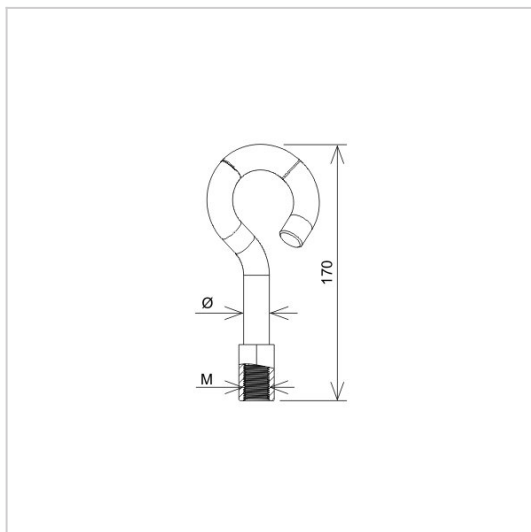
MATERIAL:

hot galvanised steel



DESCRIPTION:

Hook screwed on a threaded rod, used in the construction of aerial networks.



symbol type	P199064 AN-101A/OG/
M	16
Ø(mm)	16
material	hot galvanised steel



AN-KOM 2 Sp. z o.o.
Inwałd, ul. ks. Władysława
Bukowińskiego 15
34-120 Andrychów



an-kom.pl
sales@an-kom.pl



tel./fax
+48 605 527 132