

LV equipment **SCREWS AND HOOKS** hook screw

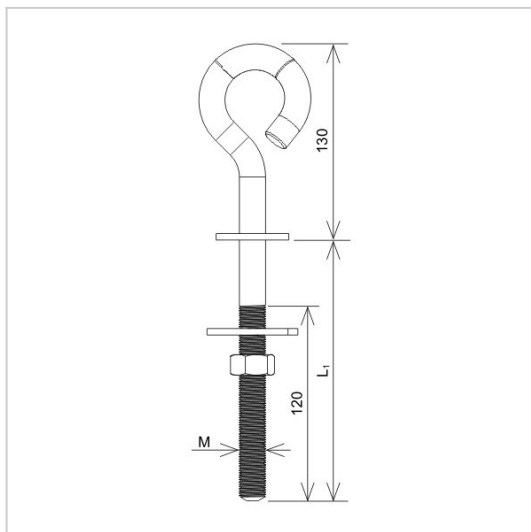
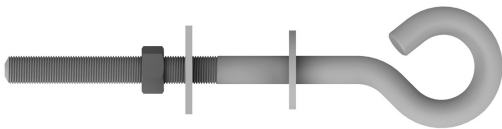
P199040

MATERIAL:

hot galvanised steel

DESCRIPTION:

Hook screw for building aerial networks on ŻN or EPV poles.



symbol type	P199040 AN-100M/OG/
L1(mm)	160
M	20
material	hot galvanised steel



AN-KOM 2 Sp. z o.o.
Inwałd, ul. ks. Władysława
Bukowińskiego 15
34-120 Andrychów



an-kom.pl
sales@an-kom.pl



tel./fax
+48 605 527 132