

Conductors conductor marker

N288552



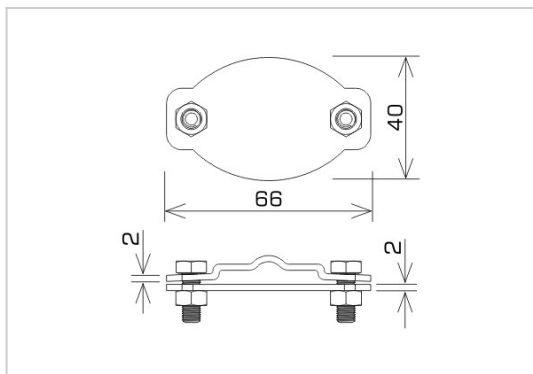
WERSJA MATERIAŁOWA:

stainless acid-resistant V4A steel

OPIS:

The conductor marker is intended for numbering down conductors.

When ordering a product, please provide the embossing number.



| | |
|---------------------------|---|
| symbol typ | N288552 AN-71E/OH/ |
| screws | M6 x 16 |
| conductor(mm) | Ø8 - Ø10 or B* to 30 *B - maximum tape conductor width |
| wersja materiałowa | stainless acid-resistant V4A steel |



AN-KOM 2 Sp. z o.o.
Inwałd, ul. ks. Władysława
Bukowińskiego 15
34-120 Andrychów



an-kom.pl
sales@an-kom.pl



tel./fax
+48 605 527 132