

Lightning protection pipes elbow

M648028

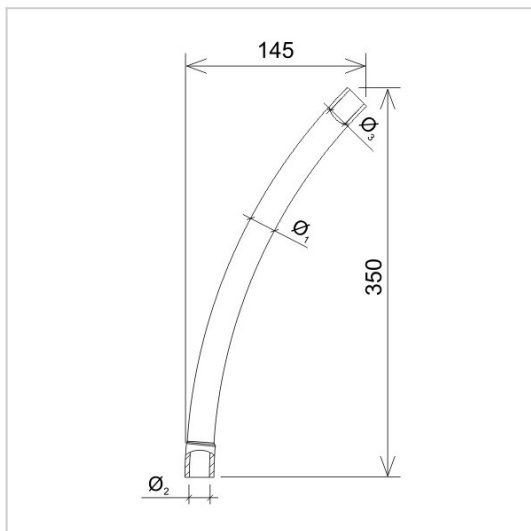


**MATERIAL:**

plastic

**DESCRIPTION:**

The single-socket elbow is a component of the AN-KOM lightning protection pipe system. It allows the conductor to be led through the insulation layer of the building.



symbol	M648028
type	AN-KO2
Ø1(mm)	44
Ø2(mm)	40
Ø3(mm)	38
material	plastic



AN-KOM 2 Sp. z o.o.  
Inwałd, ul. ks. Władysława  
Bukowińskiego 15  
34-120 Andrychów



an-kom.pl  
sales@an-kom.pl



tel./fax  
+48 605 527 132