

Lightning protection pipes elbow

M648004

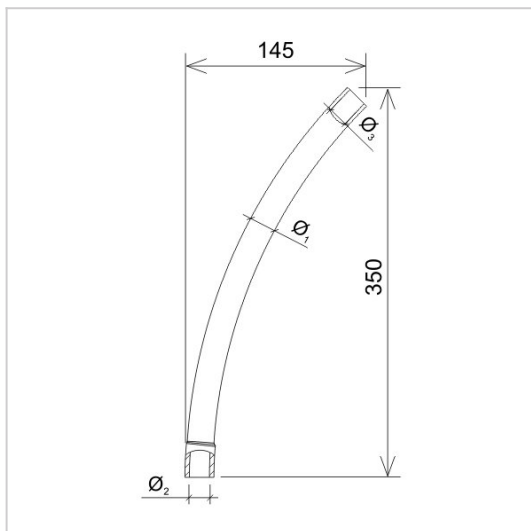


MATERIAL:

plastic

DESCRIPTION:

The single-socket elbow is a component of the AN-KOM lightning protection pipe system. It allows the conductor to be led through the insulation layer of the building.



symbol	M648004
type	AN-KO1
Ø1(mm)	24
Ø2(mm)	20
Ø3(mm)	18
material	plastic



AN-KOM 2 Sp. z o.o.
Inwałd, ul. ks. Władysława
Bukowińskiego 15
34-120 Andrychów



an-kom.pl
sales@an-kom.pl



tel./fax
+48 605 527 132