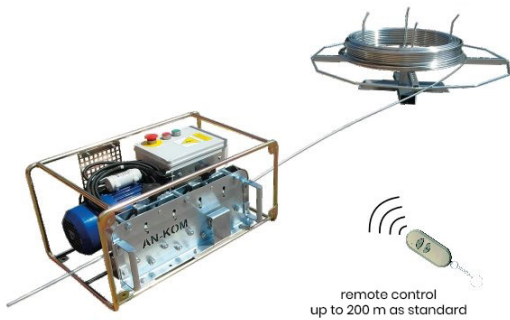


Straighteners ELECTRIC DRIVE electric straightener

K947044

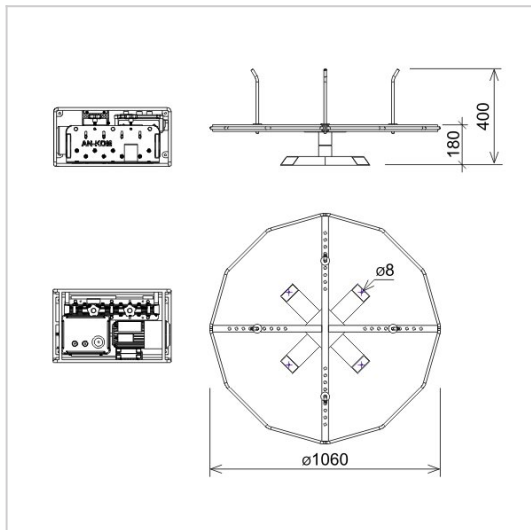


MATERIAL:

electro-galvanised steel

DESCRIPTION:

Set - electric straightener with horizontal pulley K947024. It is used to straighten wire and tape conductor holder.



symbol type	K947044 PRE05
conductors(mm)	Ø8 or B* to 30 *B - maximum tape conductor width
rated voltage(V)	230
weight(kg)	~46,5
material	electro-galvanised steel



AN-KOM 2 Sp. z o.o.
Inwałd, ul. ks. Władysława
Bukowińskiego 15
34-120 Andrychów



an-kom.pl
sales@an-kom.pl



tel./fax
+48 605 527 132