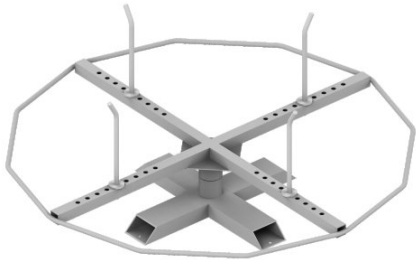


Straighteners STRAIGHTENER ACCESSORIES horizontal pulley

K947024

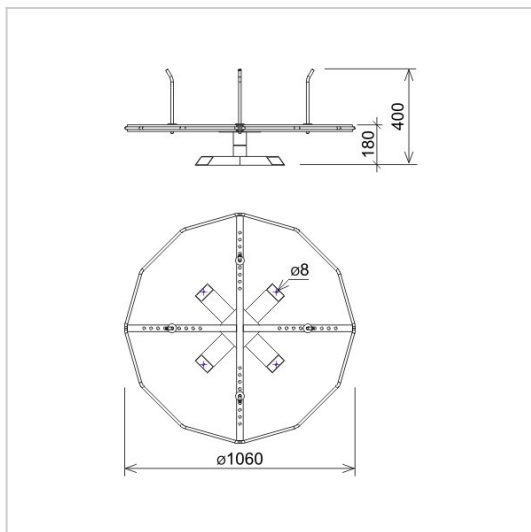


MATERIAL:

electro-galvanised steel

DESCRIPTION:

Horizontal pulley for the straightener, which enables easy and safe unwinding of the ground wire.



symbol type	K947024 RPR-01/OC/
straighteners	K947004, K947052
weight(kg)	~12
material	electro-galvanised steel



AN-KOM 2 Sp. z o.o.
Inwałd, ul. ks. Władysława
Bukowińskiego 15
34-120 Andrychów



an-kom.pl
sales@an-kom.pl



tel./fax
+48 605 527 132