

Isolated air termination rods SPIRES stainless spire

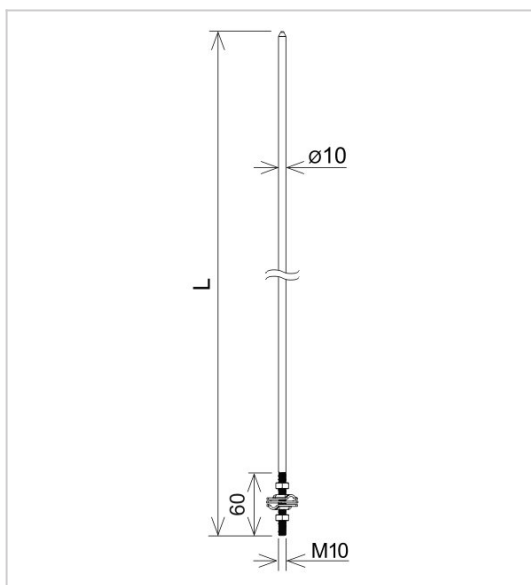
J286572

**MATERIAL:**

stainless acid-resistant V4A steel

**DESCRIPTION:**

Insulated mast end spire. A three-plate connector screwed with two screws enables the connection of a round ground wire.



<b>symbol</b> type	<b>J286572</b> AN-83ZB/OH/
<b>L(mm)</b>	1000
<b>conductor(mm)</b>	Ø8 - Ø10
<b>material</b>	stainless acid-resistant V4A steel



AN-KOM 2 Sp. z o.o.  
Inwałd, ul. ks. Władysława  
Bukowińskiego 15  
34-120 Andrychów



an-kom.pl  
sales@an-kom.pl



tel./fax  
+48 605 527 132