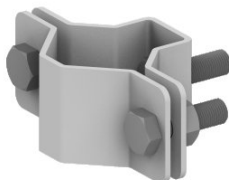


Isolated air termination rods PIPE AND RODS HOLDERS type 4a holder

**J196648**

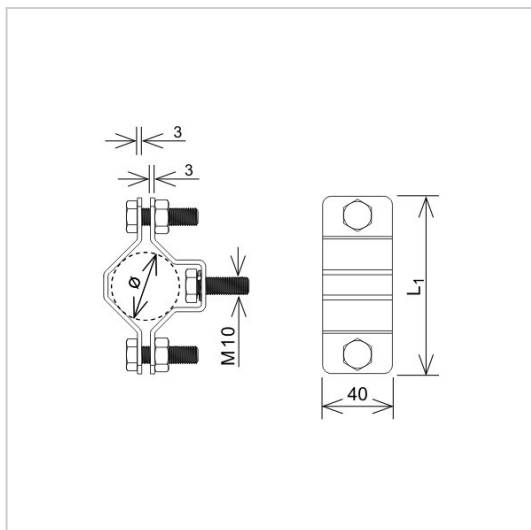


**MATERIAL:**

hot galvanised steel

**DESCRIPTION:**

Holder with articulated clamp for screwing horizontal isolated rod. The catch is attached to the supporting pipe of the mast, while the horizontal insulating bar is mounted to the protruding thread.



<b>symbol</b> type	<b>J196648</b> AN-85B40/OG/
<b>Ø(mm)</b>	30 - 40
<b>L1(mm)</b>	90
<b>screws</b>	M10 x 35
<b>material</b>	hot galvanised steel



AN-KOM 2 Sp. z o.o.  
 Inwałd, ul. ks. Władysława  
 Bukowińskiego 15  
 34-120 Andrychów



an-kom.pl  
 sales@an-kom.pl



tel./fax  
 +48 605 527 132