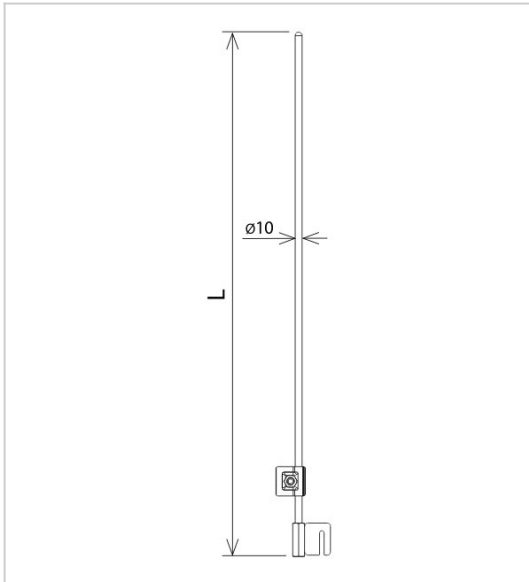


AIR TERMINATION RODS CHIMNEY, RIDGE TILE AND PV SPIRES ridge tile spires

H926420



MATERIAL:

aluminium alloy

DESCRIPTION:

The ridge tile spire is delivered complete with an adapter and a connector that allows mounting to all AN-KOM ridge tile holders. These spires are used to protect photovoltaic cells, solar panels, etc.

symbol type	H926420 AN-90G/AL/
L(mm)	1000
conductor(mm)	Ø8
material	aluminium alloy



AN-KOM 2 Sp. z o.o.
Inwałd, ul. ks. Władysława
Bukowińskiego 15
34-120 Andrychów



an-kom.pl
sales@an-kom.pl



tel./fax
+48 605 527 132