

AIR TERMINATION RODS CHIMNEY, RIDGE TILE AND PV SPIRES PV protection spire

H926125

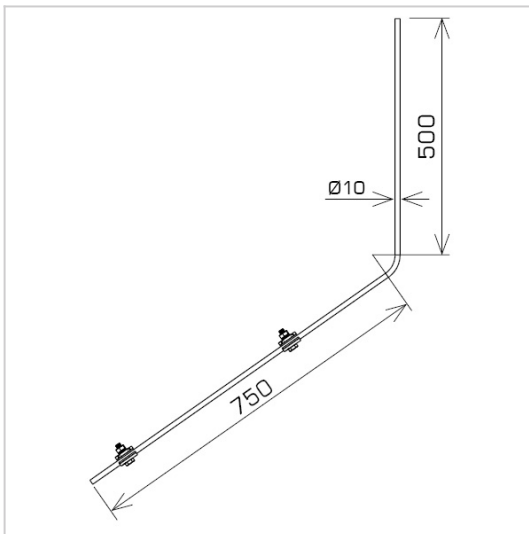


MATERIAL:

aluminium

DESCRIPTION:

The spire for protection of PV installations. Mounted to the substructure. It is supplied with two holders. The spire creates a protected space for lightning protection, e.g. of photovoltaic cells.



symbol	H926125
type	AN-90L/AL/
conductor(mm)	Ø8
material	aluminium



AN-KOM 2 Sp. z o.o.
Inwałd, ul. ks. Władysława
Bukowińskiego 15
34-120 Andrychów



an-kom.pl
sales@an-kom.pl



tel./fax
+48 605 527 132