

AIR TERMINATION RODS CHIMNEY, RIDGE TILE AND PV SPIRES seam masts

H926093

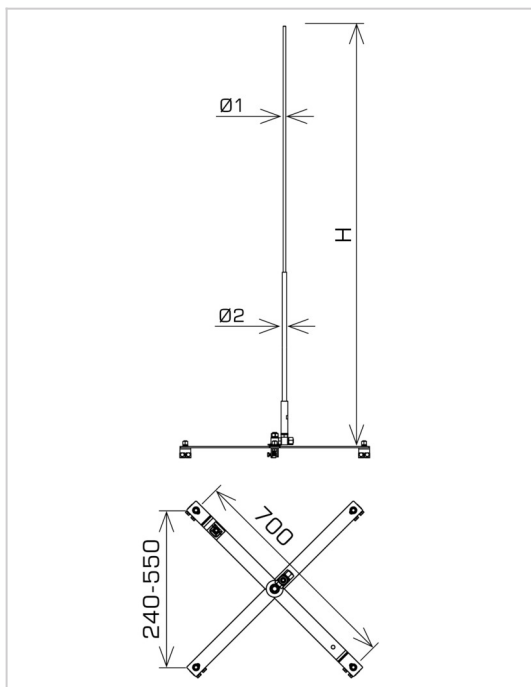


WERSJA MATERIAŁOWA:

aluminium alloy

OPIS:

The spire on the roof slope. It is used to protect devices such as PV panels, air vents, roof skylights. The non-invasive assembly allows you to securely mount the spire without interfering with the roof cover.



| | |
|---------------------------|-------------------------------|
| symbol typ | H926093 AN-80CR/AL/ |
| H(mm) | 2000 |
| Ø1 / Ø2(mm) | 10 / 16 |
| wersja materiałowa | aluminium alloy |



AN-KOM 2 Sp. z o.o.
Inwałd, ul. ks. Władysława
Bukowińskiego 15
34-120 Andrychów



an-kom.pl
sales@an-kom.pl



tel./fax
+48 605 527 132