

Isolated air termination rods ACCESSORIES FOR HIGH VOLTAGE INSULATED  
CABLE concrete bracket with cap

H646292

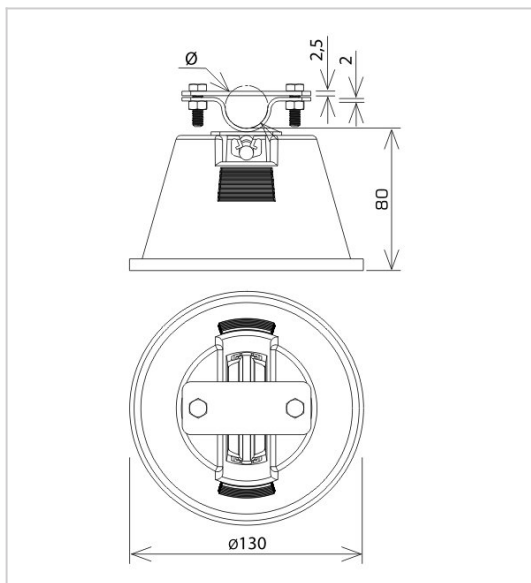


**WERSJA MATERIAŁOWA:**

plastic

**OPIS:**

The concrete holder with a cap for leading a cable in PW high-voltage insulation.



<b>symbol</b>	<b>H646292</b>
<b>typ</b>	AN-88K/TW/
<b>screws</b>	M6 x 20
<b>Ø(mm)</b>	24
<b>weight(kg)</b>	~ 1
<b>wersja materiałowa</b>	plastic



AN-KOM 2 Sp. z o.o.  
Inwałd, ul. ks. Władysława  
Bukowińskiego 15  
34-120 Andrychów



an-kom.pl  
sales@an-kom.pl



tel./fax  
+48 605 527 132