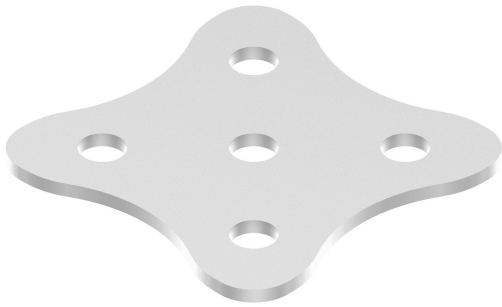


Isolated air termination rods ACCESSORIES FOR HIGH VOLTAGE INSULATED
CABLE quadruple connecting holder

H286428

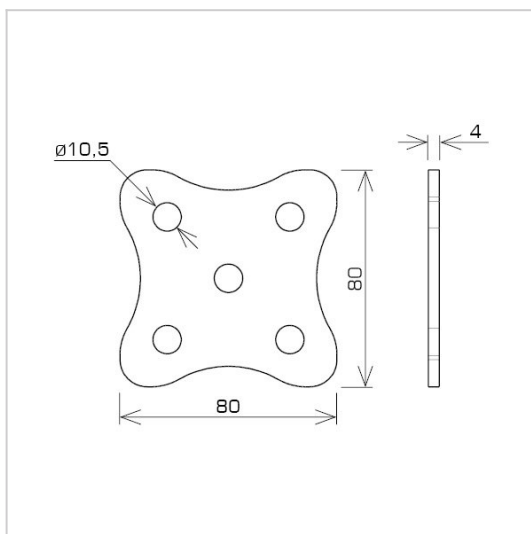


WERSJA MATERIAŁOWA:

stainless acid-resistant V4A steel

OPIS:

The quad connector designed for connection of four wires in high-voltage insulation.



symbol typ	H286428 AN-88AB/OH/
wersja materiałowa	stainless acid-resistant V4A steel



AN-KOM 2 Sp. z o.o.
Inwałd, ul. ks. Władysława
Bukowińskiego 15
34-120 Andrychów



an-kom.pl
sales@an-kom.pl



tel./fax
+48 605 527 132