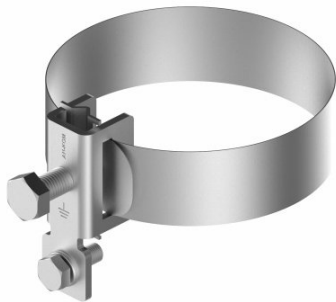


AIR TERMINATION RODS ACCESSORIES FOR HIGH VOLTAGE INSULATED CABLE
grounding clamp

H286272

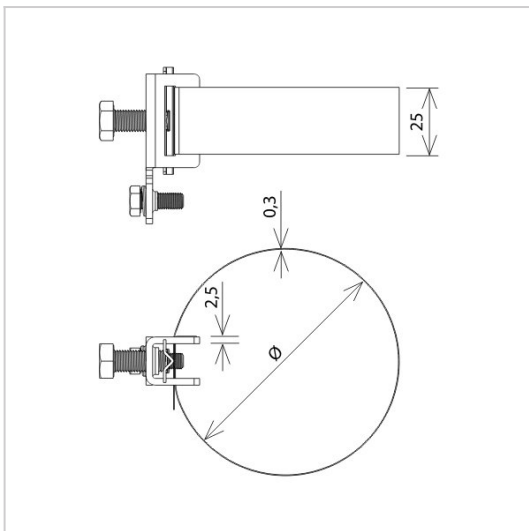


MATERIAL:

stainless acid-resistant V4A steel

DESCRIPTION:

Grounding clamp for potential equalization on the PW high-voltage insulated cable. The band should be installed at the end of the vertical insulator.



symbol	H286272
type	AN-88F/OH/
screws	M8 x 20 M6 x 16
Ø(mm)	17 - 114
material	stainless acid-resistant V4A steel



AN-KOM 2 Sp. z o.o.
Inwałd, ul. ks. Władysława
Bukowińskiego 15
34-120 Andrychów



an-kom.pl
sales@an-kom.pl



tel./fax
+48 605 527 132