

AIR TERMINATION RODS ACCESSORIES FOR HIGH VOLTAGE INSULATED CABLE 1P
 spire and high voltage cable end tip connector

H286260

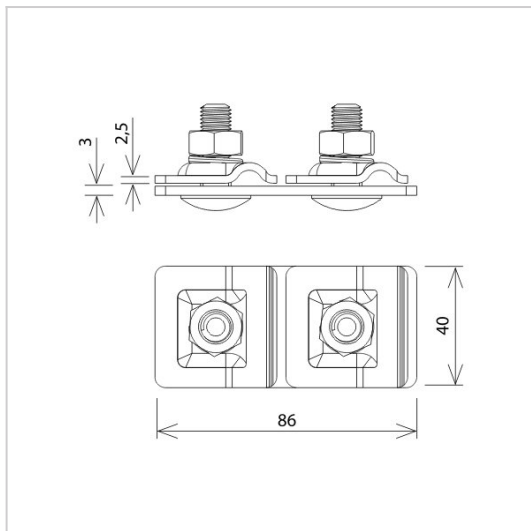


MATERIAL:

stainless acid-resistant V4A steel

DESCRIPTION:

The connector is designed to connect the mast spire to the PW with one high-voltage insulated wire.



symbol	H286260
type	AN-88C/OH/
screws	M10 x 35
material	stainless acid-resistant V4A steel



AN-KOM 2 Sp. z o.o.
 Inwałd, ul. ks. Władysława
 Bukowińskiego 15
 34-120 Andrychów



an-kom.pl
 sales@an-kom.pl



tel./fax
 +48 605 527 132