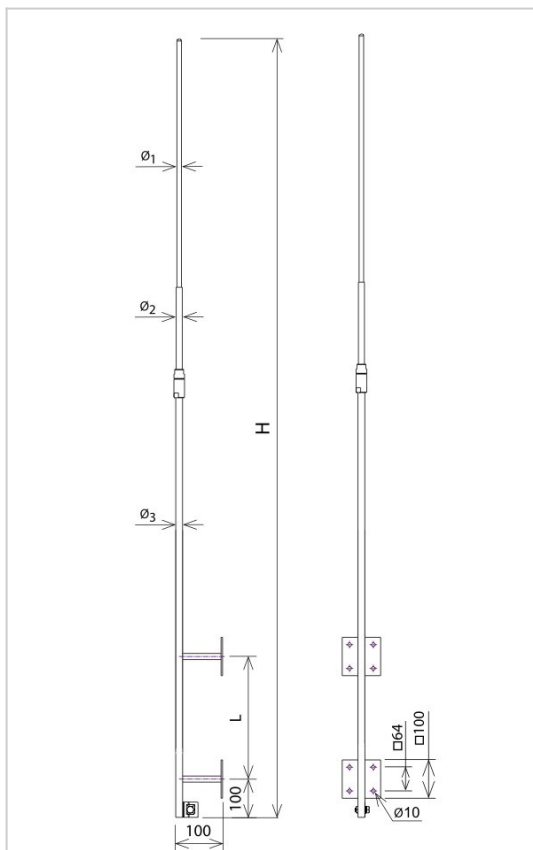


AIR TERMINATION RODS CHIMNEY, RIDGE TILE AND PV SPIRES chimney spires

H196404



MATERIAL:

hot galvanised steel

DESCRIPTION:

Implementation of lightning protection of chimneys, superstructures and other devices on the roofs of buildings. There are mounting holders permanently welded into the spiers and a connector for connecting to the ground wire.

symbol type	H196404 AN-90E/OG/
H(mm)	3000
Ø1(mm)	10
Ø2(mm)	16
Ø3(mm)	18
L(mm)	320
conductor(mm)	Ø8
material	hot galvanised steel



AN-KOM 2 Sp. z o.o.
Inwałd, ul. ks. Władysława
Bukowińskiego 15
34-120 Andrychów



an-kom.pl
sales@an-kom.pl



tel./fax
+48 605 527 132