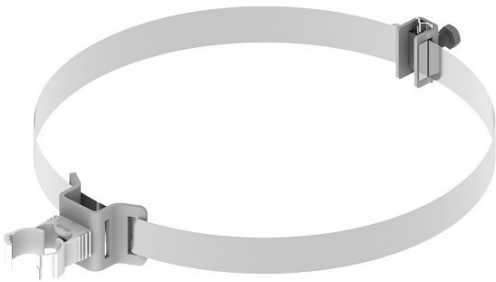


AIR TERMINATION RODS ACCESSORIES FOR HIGH VOLTAGE INSULATED CABLE
high voltage covered cable routing holder

H196340

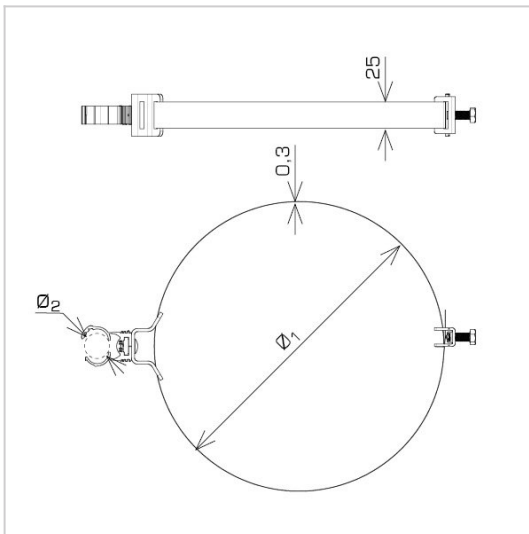


MATERIAL:

hot galvanised steel

DESCRIPTION:

The holder is used for routing a PW high-voltage insulated cable along a round profile on a steel tape.



symbol	H196340
type	AN-88Y100/OG/
Ø1(mm)	50 - 100
Ø2(mm)	24 - 28
screws	M6 x 12 M8 x 20
material	hot galvanised steel



AN-KOM 2 Sp. z o.o.
Inwałd, ul. ks. Władysława
Bukowińskiego 15
34-120 Andrychów



an-kom.pl
sales@an-kom.pl



tel./fax
+48 605 527 132