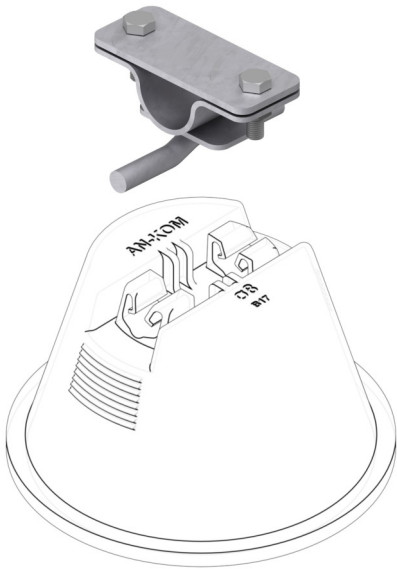


Isolated air termination rods ACCESSORIES FOR HIGH VOLTAGE INSULATED  
CABLE high voltage concrete holder pad

H196288

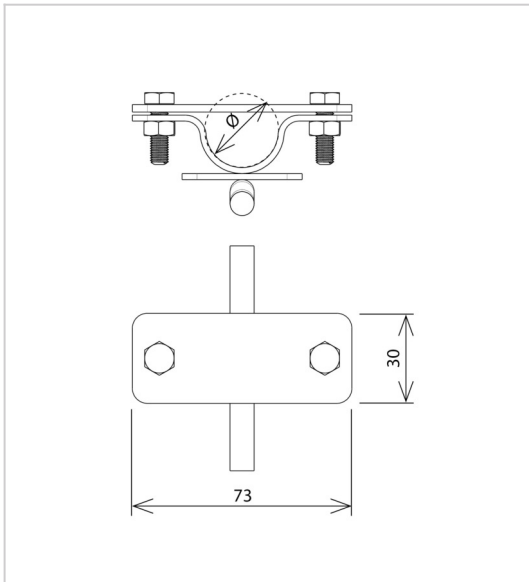


**WERSJA MATERIAŁOWA:**

hot galvanised steel

**OPIS:**

Concrete holder pad for a cable in high-voltage insulation PW.



<b>symbol</b> typ	<b>H196288</b> AN-88J/OG/
<b>screws</b>	M6 x 20
<b>Ø(mm)</b>	24
<b>holders</b>	B931516, B931588 B931504, B931508
<b>wersja materiałowa</b>	hot galvanised steel



AN-KOM 2 Sp. z o.o.  
Inwałd, ul. ks. Władysława  
Bukowińskiego 15  
34-120 Andrychów



an-kom.pl  
sales@an-kom.pl



tel./fax  
+48 605 527 132