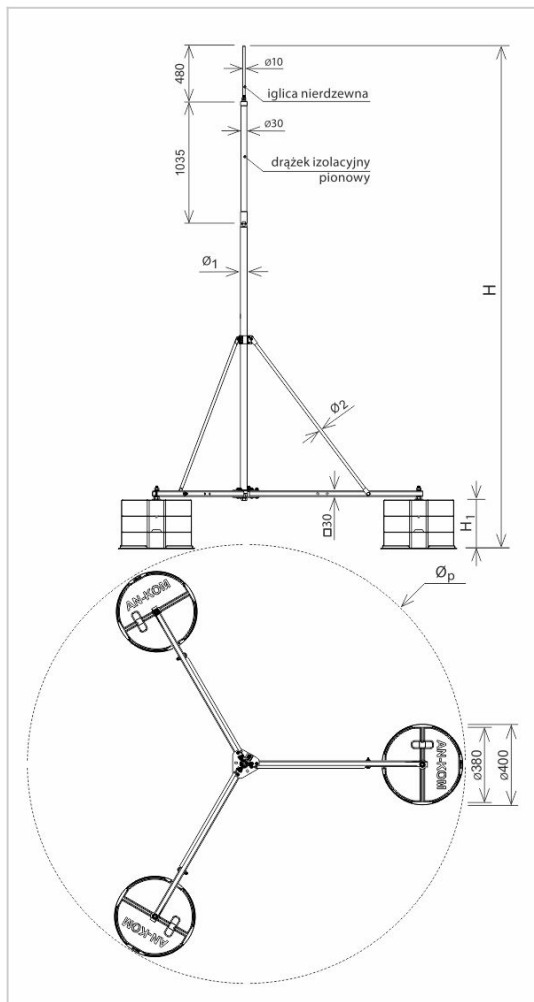


**AIR TERMINATION RODS MASTS FOR HIGH VOLTAGE INSULATED CABLE tripod
high voltage masts**

H196228



WERSJA MATERIAŁOWA:

hot galvanised steel

OPIS:

Tripod PW* masts designed to protect devices on the roofs of industrial facilities in places where it is not possible to maintain an intrinsically safe distance. The lightning current from the mast spire is discharged through a conductor in PW high-voltage insulation. They do not require adhesive. Delivered complete with accessories: PVC pads for concrete bottoms, supports, vertical insulator, spire.

*PW - high-voltage insulated conductor

** For one high-voltage insulated conductor. For more than 1 conductor on request.

THE SCHEME OF PW MAST ON TRIPOD

symbol typ	H196228 AN-87E/OG/
H(mm)	7000
base weight(kg)	3 x 72
Ø1 / Ø2 / Ø3(mm)	42,4 / --- / 16
Øp / H1(mm)	3380 / 70
wind resistance(km/h)	150
conductor(mm)	Ø8
wersja materiałowa	hot galvanised steel



AN-KOM 2 Sp. z o.o.
Inwałd, ul. ks. Władysława
Bukowińskiego 15
34-120 Andrychów



an-kom.pl
sales@an-kom.pl



tel./fax
+48 605 527 132