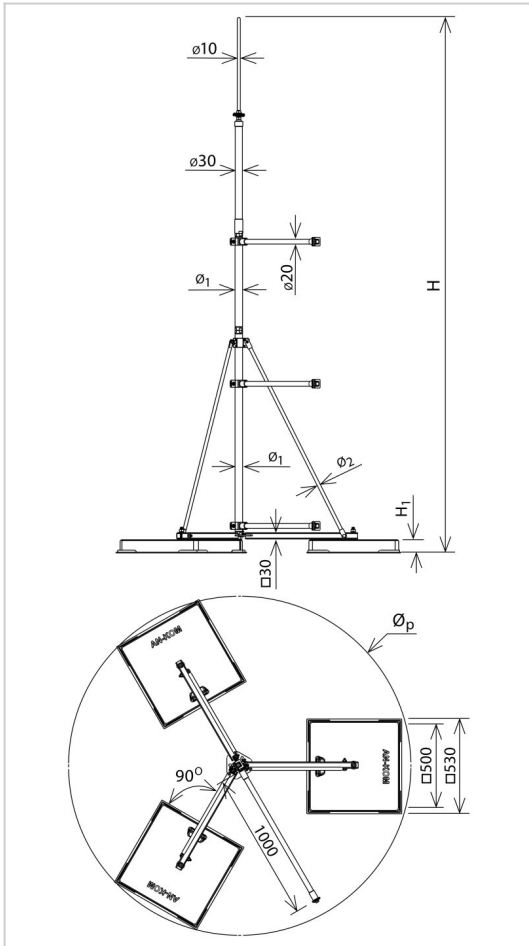


AIR TERMINATION RODS AIR TERMINAL MASTS air terminal masts

H196180



MATERIAL:

hot galvanised steel

DESCRIPTION:

Free-standing masts with an air terminal on a tripod with bases. They are used to discharge the lightning current while maintaining the intrinsically safe distance, which is ensured by horizontal insulating rods.

symbol type	H196180 AN-83B/OG/
H(mm)	5000
base weight(kg)	3 x 36
Ø1 / Ø2(mm)	33,7 / 12
Øp / H1(mm)	1950 / 70
number of horizontal insulated rods(pcs)	4
wind resistance(km/h)	120
material	hot galvanised steel



AN-KOM 2 Sp. z o.o.
Inwałd, ul. ks. Władysława
Bukowińskiego 15
34-120 Andrychów



an-kom.pl
sales@an-kom.pl



tel./fax
+48 605 527 132