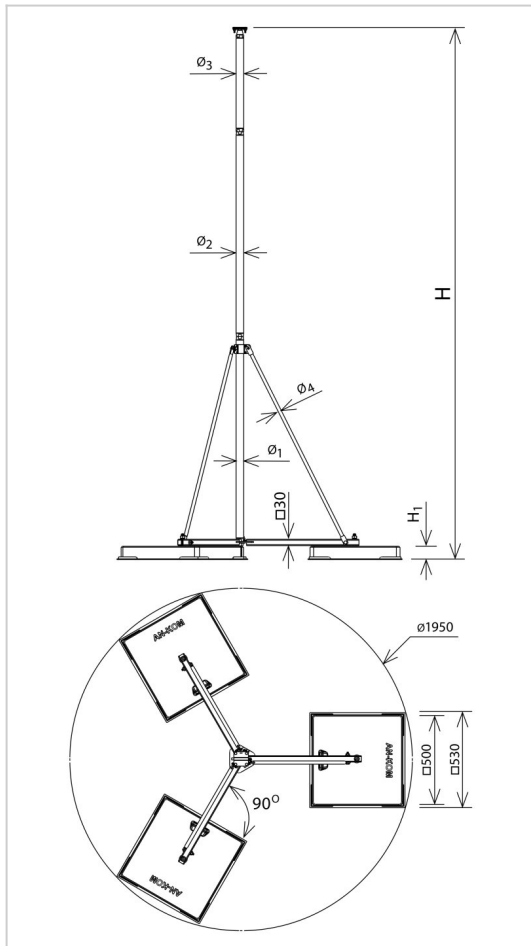


AIR TERMINATION RODS MESH CAGE MASTS mesh cage masts

H196160



MATERIAL:

hot galvanised steel

DESCRIPTION:

Free-standing mesh cage mast on a triple base (tripod). It is used to build horizontal air terminals (protective cages).

Line span between two masts of the same construction: up to 10m.

symbol type	H196160 AN-82A/OG/
H(mm)	3000
base weight(kg)	3 x 36
$\varnothing 1 / \varnothing 2 / \varnothing 3 / \varnothing 4$ (mm)	33,7 / --- / --- / 12
wind resistance(km/h)	215
conductor(mm)	$\varnothing 8$
H1(mm)	70
material	hot galvanised steel



AN-KOM 2 Sp. z o.o.
Inwałd, ul. ks. Władysława
Bukowińskiego 15
34-120 Andrychów



an-kom.pl
sales@an-kom.pl



tel./fax
+48 605 527 132