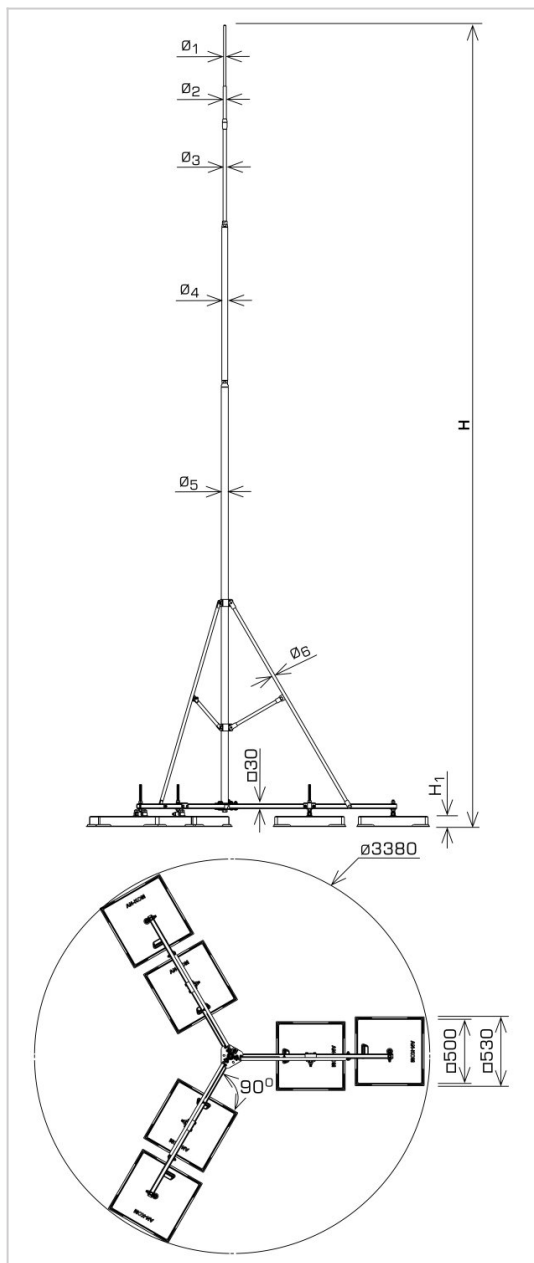


AIR TERMINATION RODS TRIPOD MASTS tripod masts

H196148



MATERIAL:

hot galvanised steel

DESCRIPTION:

Free-standing lightning protection masts on a triple base (tripod) create a protected space. They do not require adhesive. Offered complete with accessories: PVC pads for concrete bottoms, bottoms, supports, spire, connector for connecting the mast to the air-termination grid.

symbol type	H196148 AN-81H/OG/
H(mm)	10 000
base weight(kg)	3 x 72
wind resistance(km/h)	152
Ø1 / Ø2 / Ø3 / Ø4 / Ø5 / Ø6(mm)	10 / 16 / 18 / 33,7 / 42,4 / 18
conductor weight(mm)	Ø8
H1(mm)	70
material	hot galvanised steel



AN-KOM 2 Sp. z o.o.
Inwałd, ul. ks. Władysława
Bukowińskiego 15
34-120 Andrychów



an-kom.pl
sales@an-kom.pl



tel./fax
+48 605 527 132