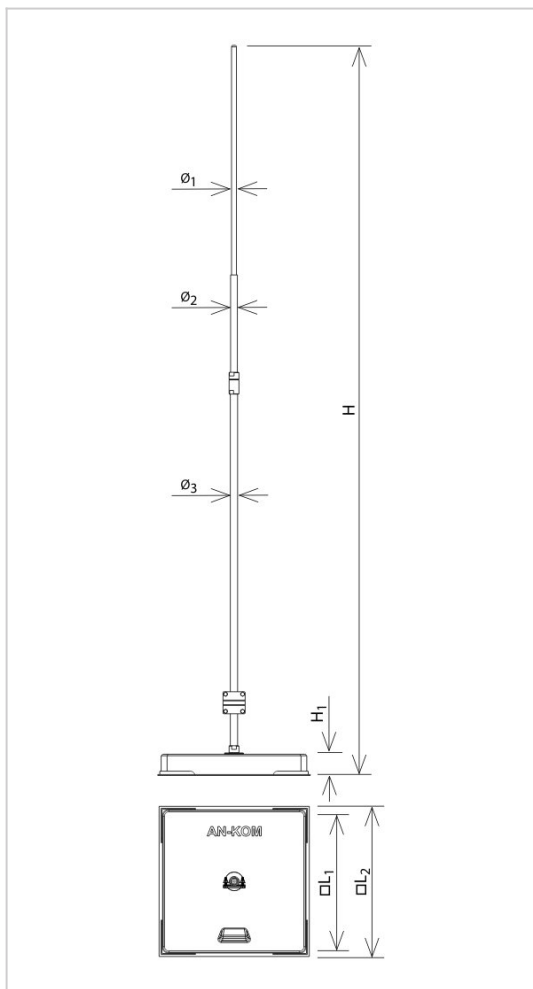


AIR TERMINATION RODS SINGLE MASTS single masts

H196044



MATERIAL:

hot galvanised steel

DESCRIPTION:

They are used to protect devices exposed to direct lightning current. They do not require adhesive. They are always offered complete with accessories: PVC pad, base, spire, connector.

symbol	H196044
type	AN-80F/OG/
H(mm)	3000
base weight(kg)	36
Ø1 / Ø2 / Ø3(mm)	10 / 16 / 18
wind resistance(km/h)	166
conductor(mm)	Ø8
H1 / L1 / L2(mm)	70 / 500 / 530
material	hot galvanised steel



AN-KOM 2 Sp. z o.o.
Inwałd, ul. ks. Władysława
Bukowińskiego 15
34-120 Andrychów



an-kom.pl
sales@an-kom.pl



tel./fax
+48 605 527 132