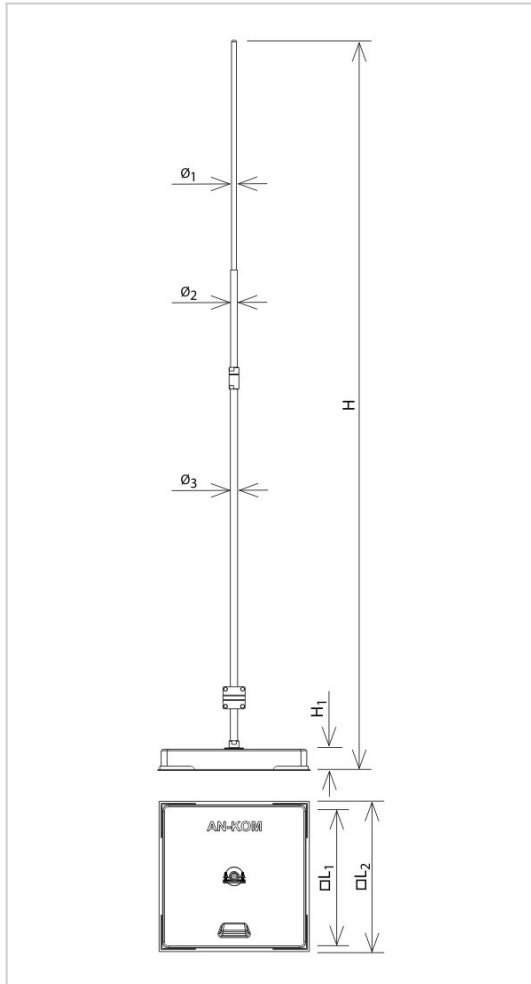


AIR TERMINATION RODS SINGLE MASTS single masts

H196036



WERSJA MATERIAŁOWA:

hot galvanised steel

OPIS:

They are used to protect devices exposed to direct lightning current. They do not require adhesive. They are always offered complete with accessories: PVC pad, base, spire, connector.

| | |
|------------------------------|----------------------|
| symbol | H196036 |
| typ | AN-80E/OG/ |
| H(mm) | 2000 |
| base weight(kg) | 36 |
| Ø1 / Ø2 / Ø3(mm) | 10 / 16 / --- |
| wind resistance(km/h) | 258 |
| conductor(mm) | Ø8 |
| H1 / L1 / L2(mm) | 70 / 500 / 530 |
| wersja materiałowa | hot galvanised steel |



AN-KOM 2 Sp. z o.o.
Inwałd, ul. ks. Władysława
Bukowińskiego 15
34-120 Andrychów



an-kom.pl
sales@an-kom.pl



tel./fax
+48 605 527 132