

Boxes WALL wall

G645512

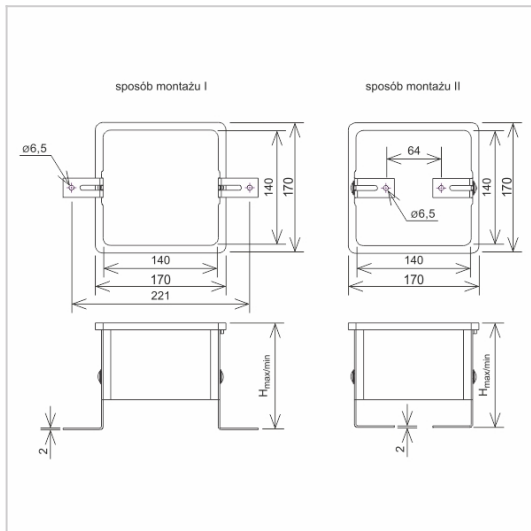


MATERIAL:

plastic

DESCRIPTION:

Thick-walled casing of the control connection with a reinforced cover for installation in the facade with adjustable depth of embedding the box in the facade.



symbol type	G645512 AN-60A/B/R
colour	white
H max/min adjustment range(mm)	220 / 100
material	plastic



AN-KOM 2 Sp. z o.o.
Inwałd, ul. ks. Władysława
Bukowińskiego 15
34-120 Andrychów



an-kom.pl
sales@an-kom.pl



tel./fax
+48 605 527 132