

EARTH ELECTRODES EARTH ELECTRODE HOLDERS horizontal earth electrode holder

F195064

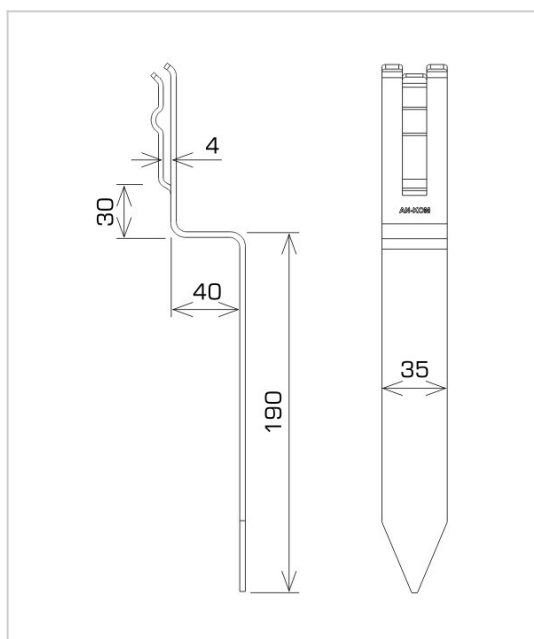


MATERIAL:

hot galvanised steel

DESCRIPTION:

The horizontal earth electrode holder is used to build a ring or foundation earth electrode.



symbol type	F195064 AN-52N/OG/
conductor(mm)	B* to 50 or Ø8 - Ø10
material	hot galvanised steel



AN-KOM 2 Sp. z o.o.
Inwałd, ul. ks. Władysława
Bukowińskiego 15
34-120 Andrychów



an-kom.pl
sales@an-kom.pl



tel./fax
+48 605 527 132