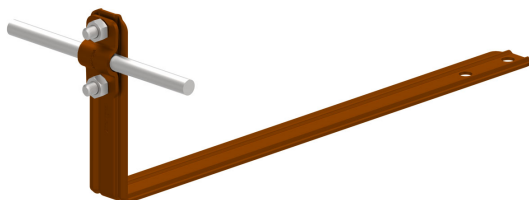


HOLDERS ROOF TILE universal straight holder

E464632



DOSTĘPNE W KOLORACH



WERSJA MATERIAŁOWA:

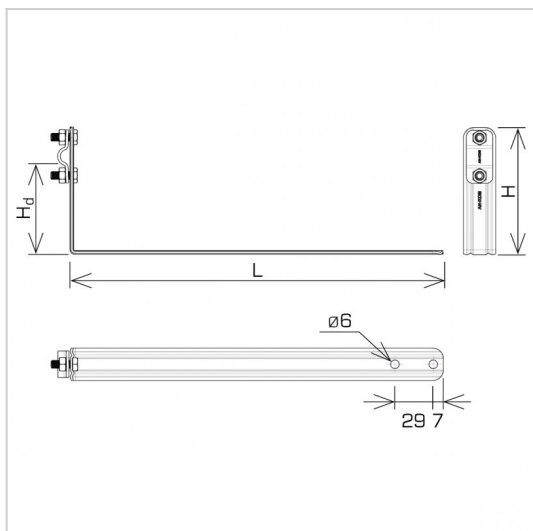
painted

OPIS:

Tile holder - universal, straight, used to build air terminals and lightning conductors on the roof across the tile. The holder is mounted by screwing it to the batten through the mounting holes.

AVAILABLE COLOURS:

RAL 3011 - **red**, RAL 8017 - **dark brown**, RAL 7016 - **anthracite grey**, RAL 7026 - **granite grey**, RAL 8004 - **brown (brick colour)**, RAL 9005 - **black**



symbol	E464632
typ	AN-25A/LA/-N
L(mm)	280
H(mm)	96
Hd(mm)	70
cabl(e)(mm)	Ø8
wersja materiałowa	painted



AN-KOM 2 Sp. z o.o.  
 Inwałd, ul. ks. Władysława  
 Bukowińskiego 15  
 34-120 Andrychów



an-kom.pl  
 sales@an-kom.pl



tel./fax  
 +48 605 527 132