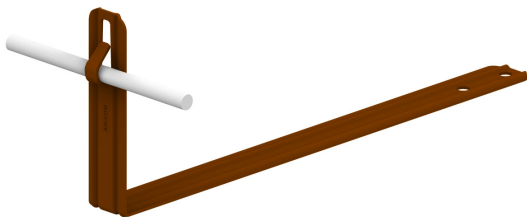


HOLDERS ROOF TILE universal straight holder

E464568



DOSTĘPNE W KOLORACH



MATERIAL:

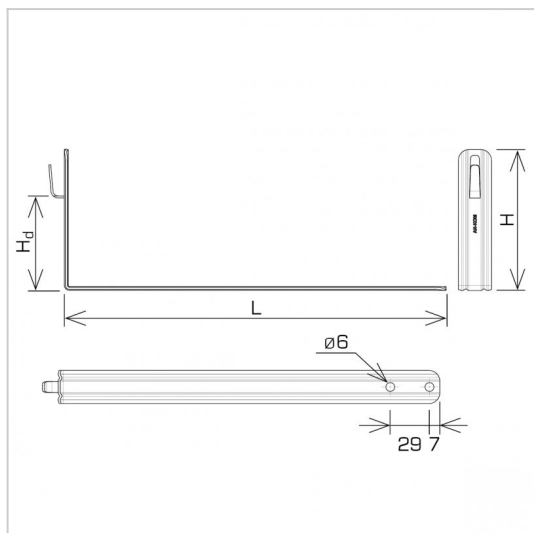
painted

DESCRIPTION:

Tile holder - universal, straight, used to build air terminals and lightning conductors on the roof across the tile. The holder is mounted by screwing it to the batten through the mounting holes.

AVAILABLE COLOURS:

RAL 3011 - **red**, RAL 8017 - **dark brown**, RAL 7016 - **anthracite grey**, RAL 7026 - **granite grey**, RAL 8004 - **brown (brick colour)**, RAL 9005 - **black**



symbol	E464568
type	AN-20A/LA/-N
L(mm)	420
H(mm)	104
Hd(mm)	70
cabl(e)mm	Ø8
material	painte



AN-KOM 2 Sp. z o.o.
Inwałd, ul. ks. Władysława
Bukowińskiego 15
34-120 Andrychów



an-kom.pl
sales@an-kom.pl



tel./fax
+48 605 527 132