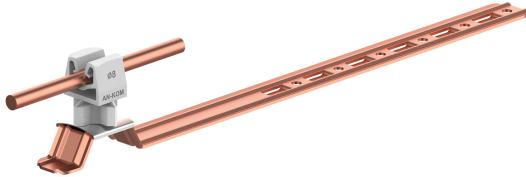


HOLDERS ROOF TILE universal holder

E374724

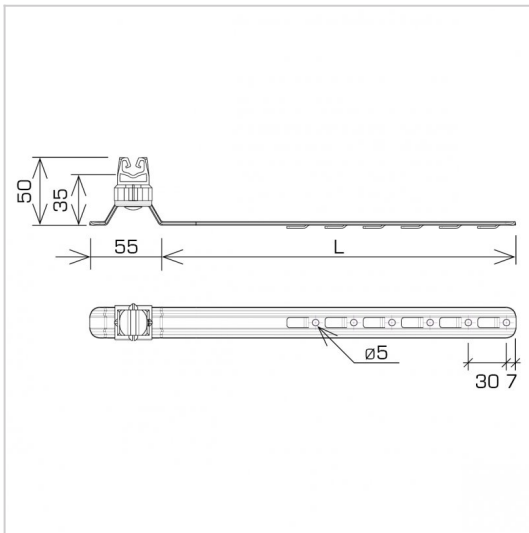


WERSJA MATERIAŁOWA:

copper

OPIS:

Tile holder - adjustable is used to build air terminals and lightning conductors on the roof across or along the tile. The holder is installed by bending the notch and inserting the holder between the tiles or screwing it to the batten with screws through the mounting holes.



symbol typ	E374724 AN-20KPN/CU/S-N
pole colour	RAL 7047
L(mm)	420
cabl(mm)	Ø8
wersja materiałowa	copper



AN-KOM 2 Sp. z o.o.
 Inwałd, ul. ks. Władysława
 Bukowińskiego 15
 34-120 Andrychów



an-kom.pl
 sales@an-kom.pl



tel./fax
 +48 605 527 132