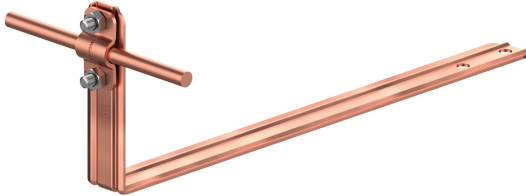


HOLDERS ROOF TILE universal straight holder

E374616

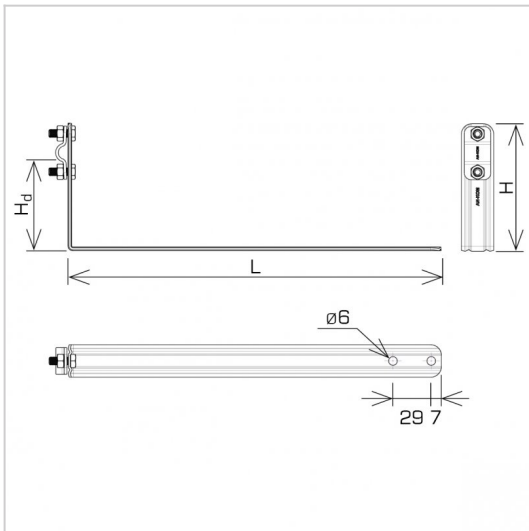


MATERIAL:

copper

DESCRIPTION:

Tile holder - universal, straight, used to build air terminals and lightning conductors on the roof across the tile. The holder is mounted by screwing it to the batten through the mounting holes.



symbol	E374616
type	AN-25/CU/-N
L(mm)	280
H(mm)	116
Hd(mm)	90
cable(mm)	Ø8
material	copper



AN-KOM 2 Sp. z o.o.
Inwałd, ul. ks. Władysława
Bukowińskiego 15
34-120 Andrychów



an-kom.pl
sales@an-kom.pl



tel./fax
+48 605 527 132