

HOLDERS ROOF TILE EasyM universal holder

E284800



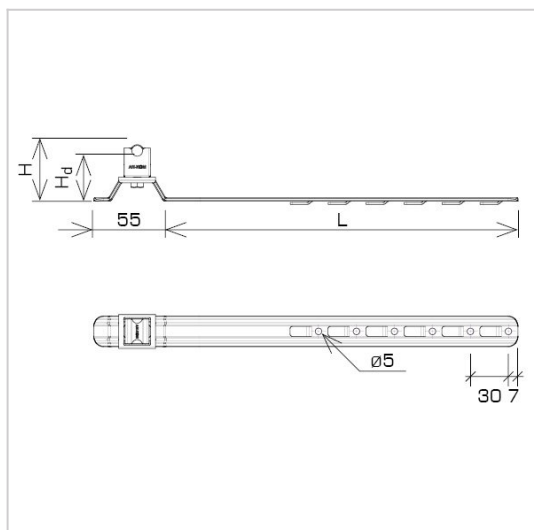
MATERIAL:

stainless acid-resistant V4A steel

DESCRIPTION:

Tile holder - adjustable, used to build air terminals and lightning conductors on the roof along and across the tile. The holder is installed by bending the tooth and inserting the holder between the tiles or screwing it to the batten with screws through the mounting holes.

Cable fixing made of stainless steel.



symbol	E284800
type	AN-21EM/OH/-N
L(mm)	280
H(mm)	48,5
Hd(mm)	36,5
cable(mm)	Ø8
material	stainless acid-resistant V4A steel



AN-KOM 2 Sp. z o.o.
 Inwałd, ul. ks. Władysława
 Bukowińskiego 15
 34-120 Andrychów



an-kom.pl
 sales@an-kom.pl



tel./fax
 +48 605 527 132