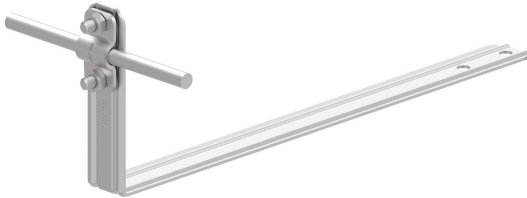


**HOLDERS ROOF TILE universal straight holder**

**E284616**

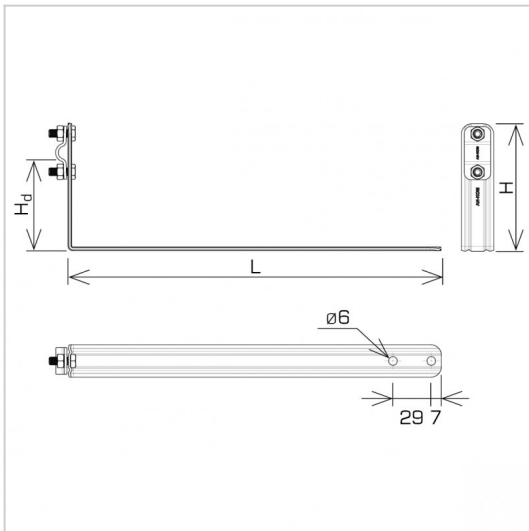


**WERSJA MATERIAŁOWA:**

stainless acid-resistant V4A steel

**OPIS:**

Tile holder - universal, straight, used to build air terminals and lightning conductors on the roof across the tile. The holder is mounted by screwing it to the batten through the mounting holes.



|                           |                                    |
|---------------------------|------------------------------------|
| <b>symbol</b><br>typ      | <b>E284616</b><br>AN-25/OH/-N      |
| <b>L(mm)</b>              | 280                                |
| <b>H(mm)</b>              | 116                                |
| <b>Hd(mm)</b>             | 90                                 |
| <b>cablę(mm)</b>          | Ø8                                 |
| <b>wersja materiałowa</b> | stainless acid-resistant V4A steel |



AN-KOM 2 Sp. z o.o.  
Inwałd, ul. ks. Władysława  
Bukowińskiego 15  
34-120 Andrychów



an-kom.pl  
sales@an-kom.pl



tel./fax  
+48 605 527 132