

HOLDERS ROOF TILE EasyM universal holder

E194800



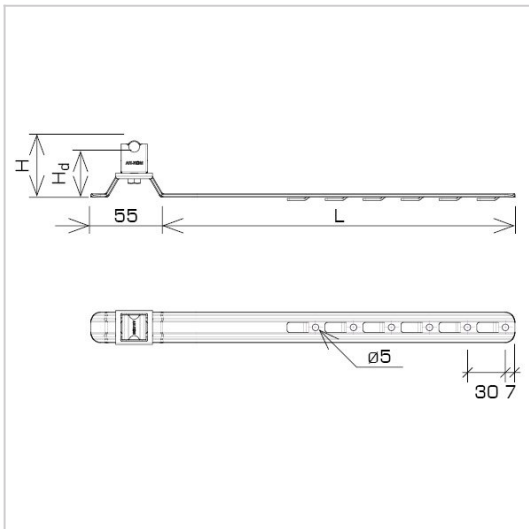
**MATERIAL:**

hot galvanised steel

**DESCRIPTION:**

Tile holder - adjustable, used to build air terminals and lightning conductors on the roof along and across the tile. The holder is installed by bending the tooth and inserting the holder between the tiles or screwing it to the batten with screws through the mounting holes.

**Cable fixing made of stainless steel.**



symbol	<b>E194800</b>
type	AN-21EM/OG/-N
<b>L(mm)</b>	280
<b>H(mm)</b>	48,5
<b>Hd(mm)</b>	36,5
<b>cabl(e)(mm)</b>	Ø8
<b>material</b>	hot galvanised steel



AN-KOM 2 Sp. z o.o.  
 Inwałd, ul. ks. Władysława  
 Bukowińskiego 15  
 34-120 Andrychów



an-kom.pl  
 sales@an-kom.pl



tel./fax  
 +48 605 527 132