

**HOLDERS ROOF TILE profiled twisted and straight holders**

**E194784**



**MATERIAL:**

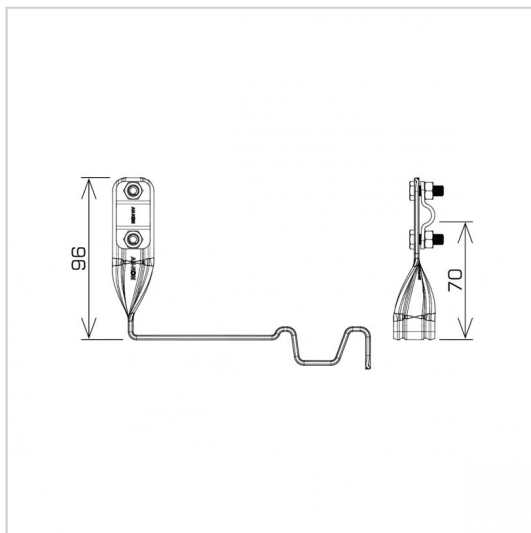
hot galvanised steel

**DESCRIPTION:**

Profiled twisted and straight tile holders are dedicated to a specific type of tile. They make it possible to lead the lightning conductor along or across the tile. Installation is carried out by inserting and fastening the holder between the tiles.

**TWISTED** - leading the cable along the tile

**STRAIGHT** - leading the cable across the tile



<b>symbol</b>	<b>E194784</b>
type	AN-28C/OG/-N
<b>MANUFACTURER - tile type</b>	CREATON - Domino
<b>pattern</b>	pattern 7
<b>cablе(mm)</b>	Ø8
<b>holder type</b>	twisted
<b>material</b>	hot galvanised steel



AN-KOM 2 Sp. z o.o.  
 Inwałd, ul. ks. Władysława  
 Bukowińskiego 15  
 34-120 Andrychów



an-kom.pl  
 sales@an-kom.pl



tel./fax  
 +48 605 527 132