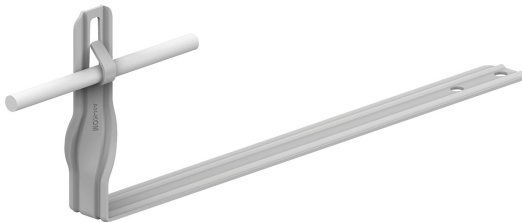


HOLDERS ROOF TILE universal twisted holder

E194556

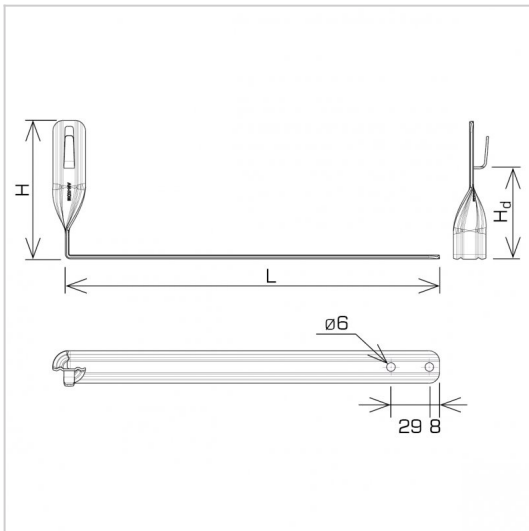


MATERIAL:

hot galvanised steel

DESCRIPTION:

Tile holder - universal, twisted, used to build air terminals and lightning conductors on the roof along the tiles. The holder is mounted by screwing it to the batten through the mounting holes.



symbol type	E194556 AN-23/OG/-N
L(mm)	420
H(mm)	124
Hd(mm)	90
cable(mm)	Ø8
material	hot galvanised steel



AN-KOM 2 Sp. z o.o.
Inwałd, ul. ks. Władysława
Bukowińskiego 15
34-120 Andrychów



an-kom.pl
sales@an-kom.pl



tel./fax
+48 605 527 132