

**HOLDERS ROOF TILE adjustable straight holder**

**E194544**

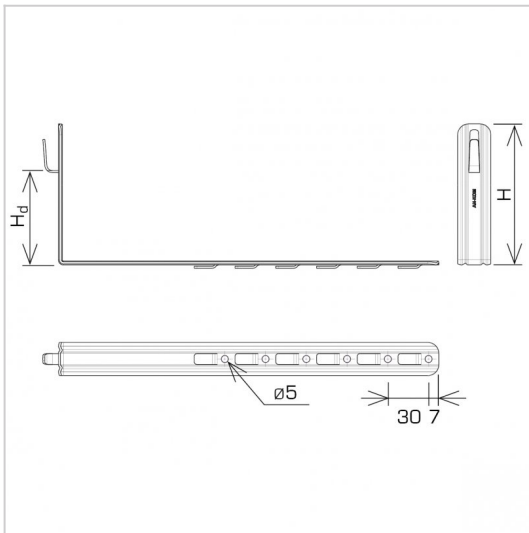


**MATERIAL:**

hot galvanised steel

**DESCRIPTION:**

Tile holder - adjustable, straight, used to build air terminals and lightning conductors on the roof across the tile. The holder is installed by bending the notch and inserting the holder between the tiles or screwing it to the batten with screws through the mounting holes.



<b>symbol</b> type	<b>E194544</b> AN-19KL/OG/-N
<b>L(mm)</b>	280
<b>H(mm)</b>	104
<b>Hd(mm)</b>	70
<b>cablе(mm)</b>	Ø8
<b>material</b>	hot galvanised steel



AN-KOM 2 Sp. z o.o.  
Inwałd, ul. ks. Władysława  
Bukowińskiego 15  
34-120 Andrychów



an-kom.pl  
sales@an-kom.pl



tel./fax  
+48 605 527 132