

HOLDERS ROOF TILE universal straight holder

E194536

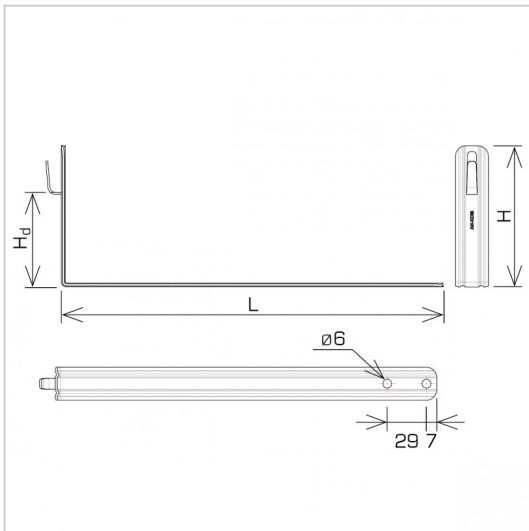


MATERIAL:

hot galvanised steel

DESCRIPTION:

Tile holder - universal, straight, used to build air terminals and lightning conductors on the roof across the tile. The holder is mounted by screwing it to the batten through the mounting holes.



symbol	E194536
type	AN-19A/OG/-N
L(mm)	280
H(mm)	104
Hd(mm)	70
cabale(mm)	Ø8
material	hot galvanised steel



AN-KOM 2 Sp. z o.o.
Inwałd, ul. ks. Władysława
Bukowińskiego 15
34-120 Andrychów



an-kom.pl
sales@an-kom.pl



tel./fax
+48 605 527 132