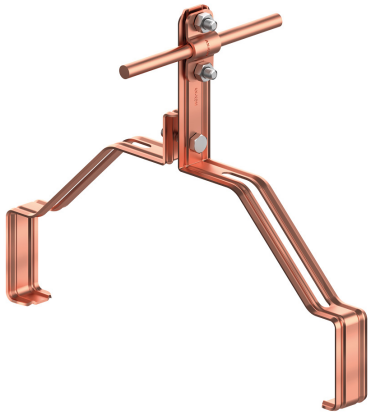


HOLDERS ridge tile profiled

D373308

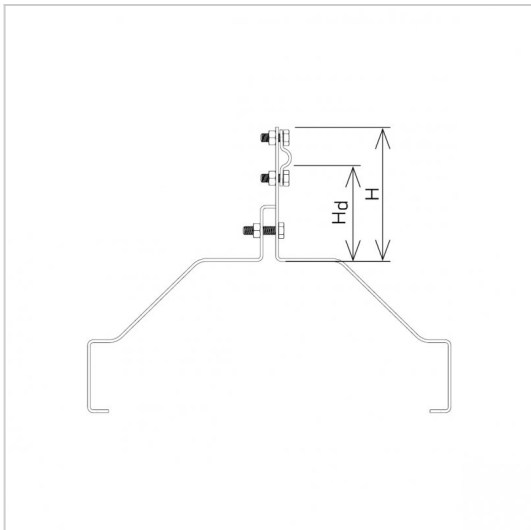


MATERIAL:

copper

DESCRIPTION:

Profiled ridge tile holders are dedicated to specific ridge tiles. The selection of the holder is based on the name of the manufacturer and the ridge tile. In the case of a metal tile holder, the selection of the holder is based on the dimensions in the product data sheet.



| | |
|-------------------------------------|---------------------------------|
| symbol type | D373308 AN-151K/CU/-N |
| MANUFACTURER ridge tile name | CREATON Domino (PD) |
| H(mm) | 96 |
| Hd(mm) | 70 |
| pattern | pattern 15 |
| cable(mm) | Ø8 |
| material | copper |



AN-KOM 2 Sp. z o.o.
 Inwałd, ul. ks. Władysława
 Bukowińskiego 15
 34-120 Andrychów



an-kom.pl
 sales@an-kom.pl



tel./fax
 +48 605 527 132