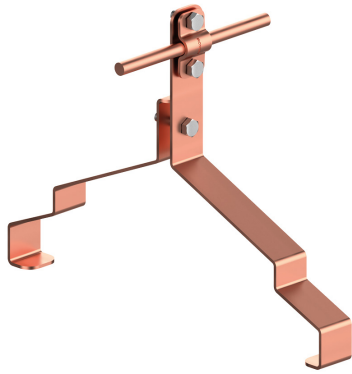


HOLDERS ridge tile profiled

D373188

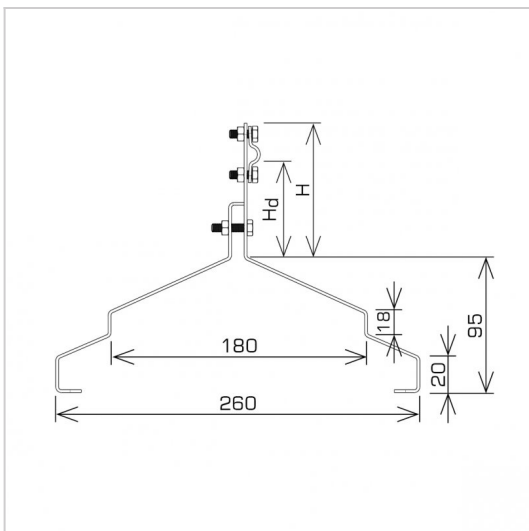


MATERIAL:

copper

DESCRIPTION:

Profiled ridge tile holders are dedicated to specific ridge tiles. The selection of the holder is based on the name of the manufacturer and the ridge tile. In the case of a metal tile holder, the selection of the holder is based on the dimensions in the product data sheet.



symbol type	D373188 AN-151W/CU/
MANUFACTURER ridge tile name	CREATON Kapstadt
H(mm)	96
Hd(mm)	70
pattern	pattern 25
cable(mm)	Ø8
material	copper



AN-KOM 2 Sp. z o.o.
 Inwałd, ul. ks. Władysława
 Bukowińskiego 15
 34-120 Andrychów



an-kom.pl
 sales@an-kom.pl



tel./fax
 +48 605 527 132