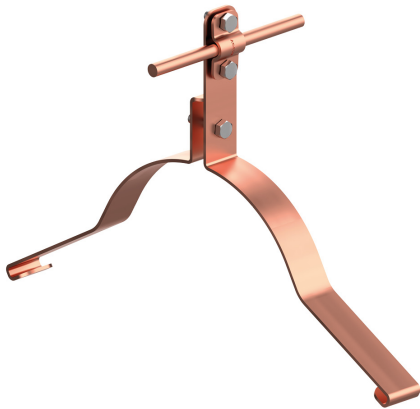


HOLDERS ridge tile profiled

D373140

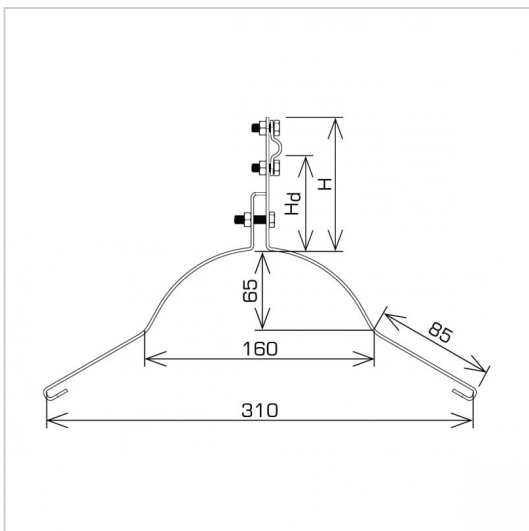


MATERIAL:

copper

DESCRIPTION:

Profiled ridge tile holders are dedicated to specific ridge tiles. The selection of the holder is based on the name of the manufacturer and the ridge tile. In the case of a metal tile holder, the selection of the holder is based on the dimensions in the product data sheet.



symbol type	D373140 AN-151F/CU/
MANUFACTURER ridge tile name	STEEL TILE (see the holder in product datasheet)
H(mm)	96
Hd(mm)	70
pattern	pattern 13
cabale(mm)	Ø8
material	copper



AN-KOM 2 Sp. z o.o.
Inwałd, ul. ks. Władysława
Bukowińskiego 15
34-120 Andrychów



an-kom.pl
sales@an-kom.pl



tel./fax
+48 605 527 132